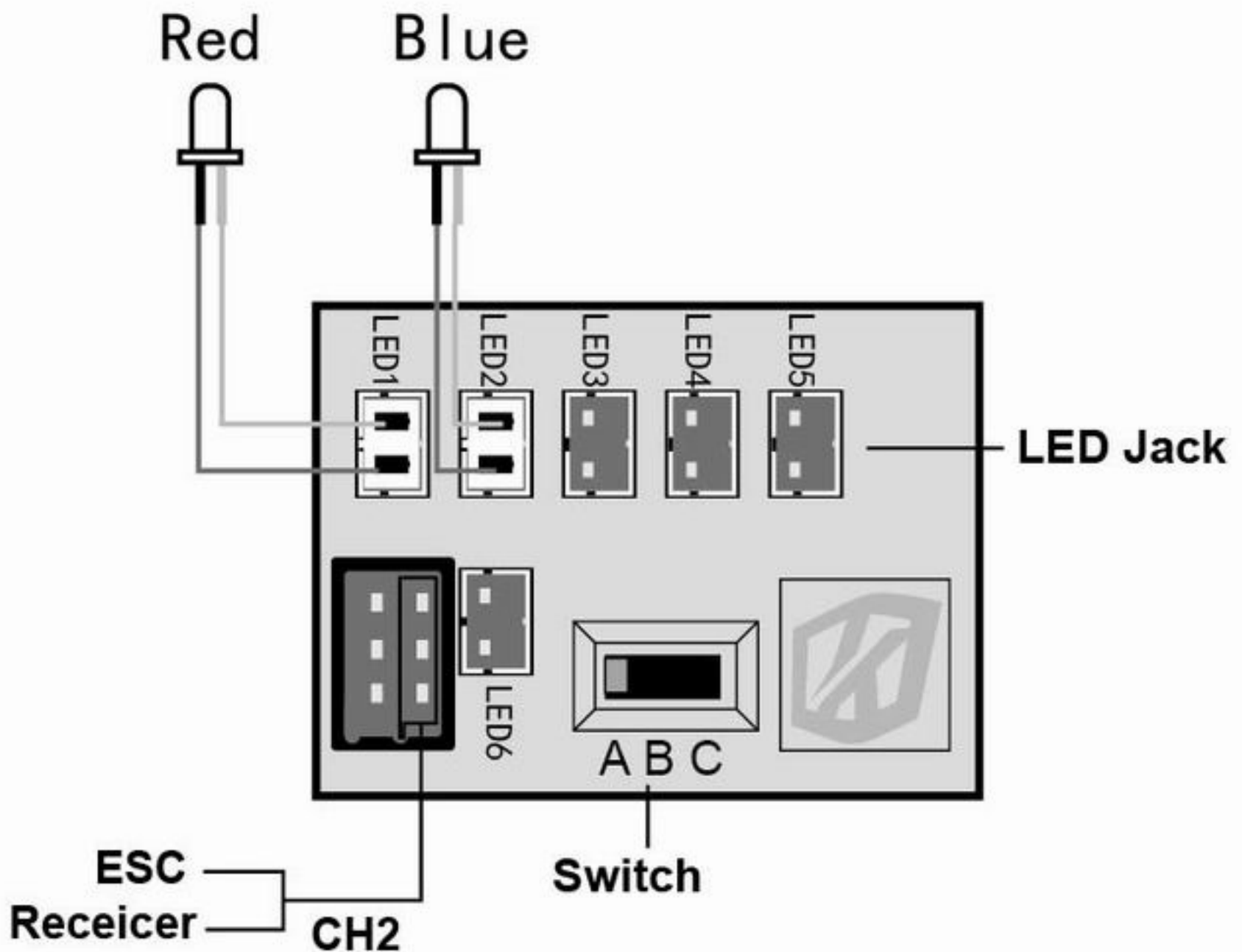


killerbody™

**LED Light System w/Control Box
(2 LEDS)
Used with R/C Warning Light
No. 48068**

⚠ Not all the Radio Controller System compatible with this LED control box.

Due to limited wire length of the LED lights set, please pre-check proper fixture location before using 3M double-sided tape to fix it. We suggest to fix the LED lights set at the nearest area to the signal receiver which on the bottom of the chassis.



Port A

Function:

LED 1, LED 2 (1 red light and 1 blue light) will light up when power connected, and will flash when received forward/backward signal.